

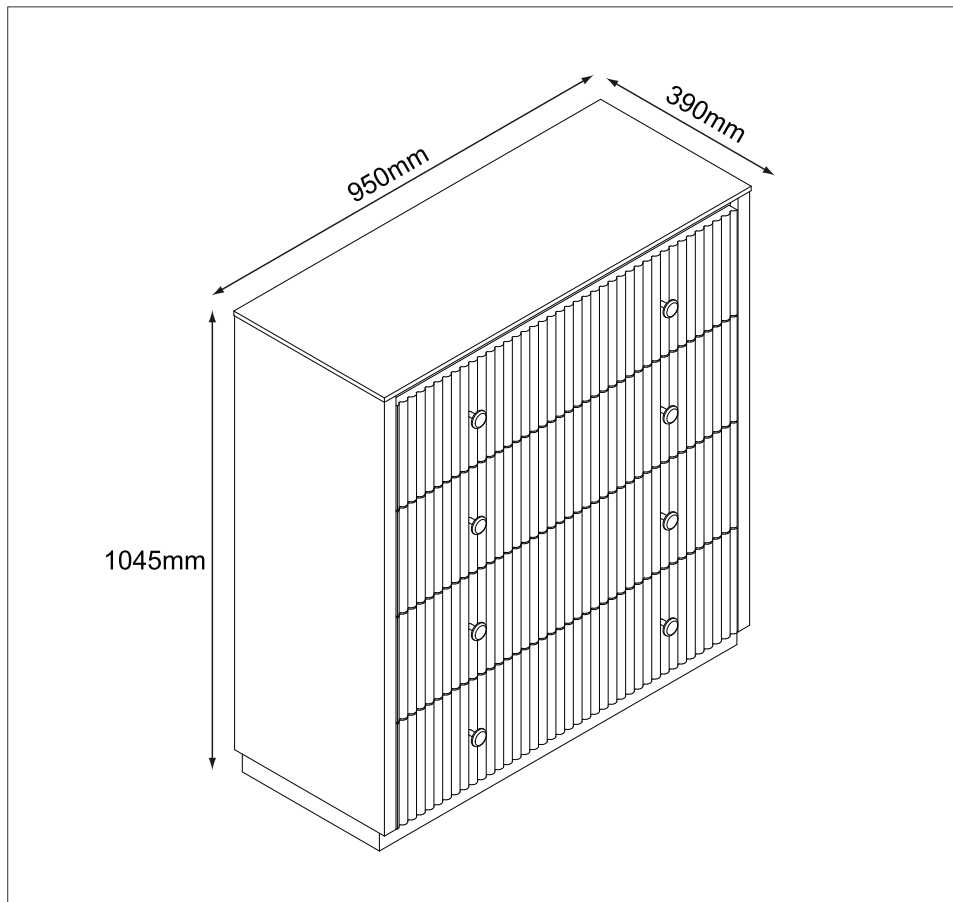


# ASSEMBLY INSTRUCTION

## TRINELL TALL CHEST

### ITEM CODE 88158

Imported by Amart Furniture Pty Ltd, Qld, Brisbane Australia.  
For any assistance with assembly or for missing parts please phone  
Amart Furniture Road, Customer Service Free call 1800 351 084

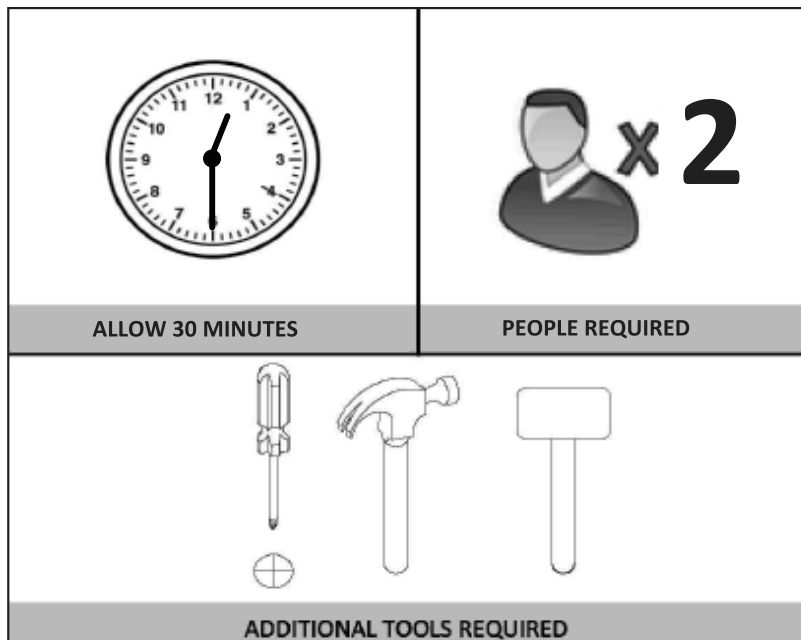




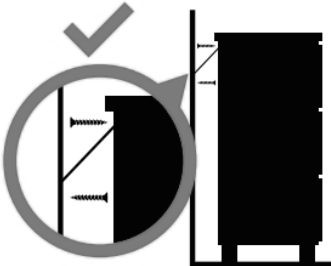

Imported by Amart Furniture Pty Ltd, Qld, Brisbane Australia.  
For any assistance with assembly or for missing parts please phone  
Amart Furniture Road, Customer Service Free call 1800 351 084

## PRE-ASSEMBLY PREPARATION

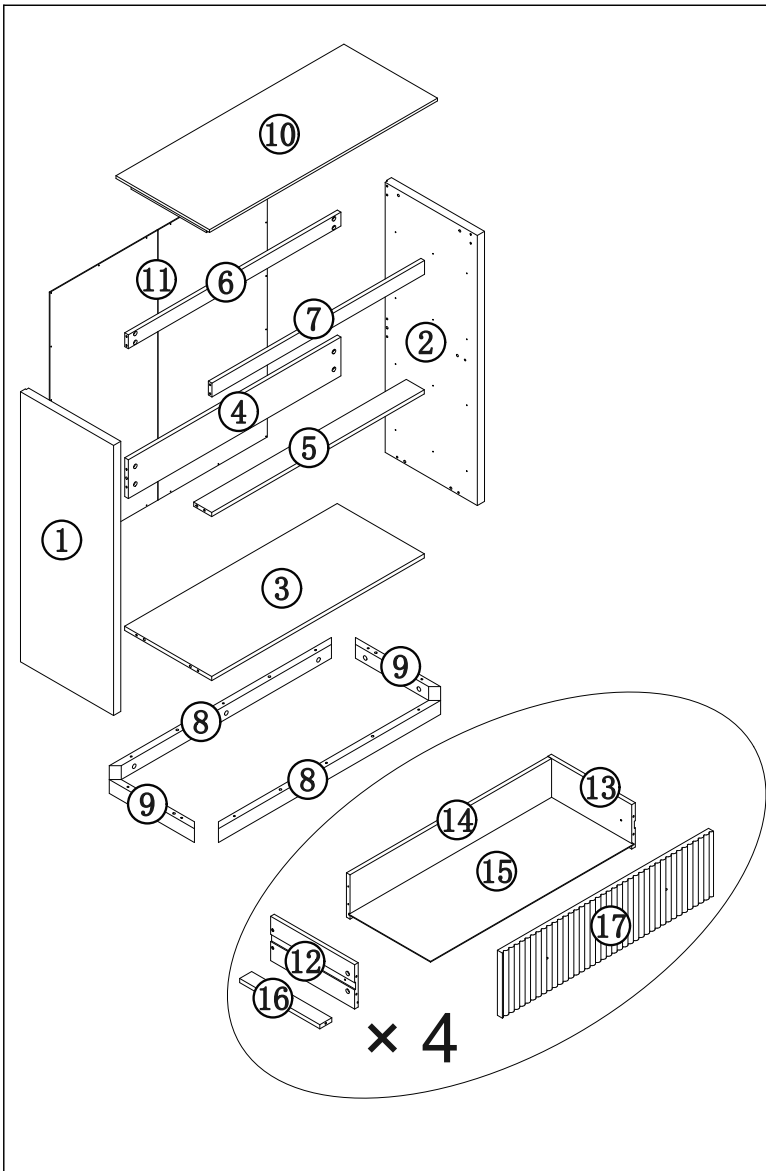
### Before you start:

1. Choose a clean, level, spacious assembly area. Avoid hard surfaces that may damage the product.
2. Take care when lifting. Product should be assembled as near as possible to the point of use.
3. Ensure that you have all required contents for complete assembly.
4. Always read the assembly instructions carefully before beginning assembly.
5. Keep all hardware parts and packaging out of reach of small children.
6. Do not over tighten the screws and bolts as this may damage the threads.



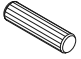

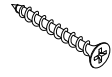


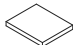
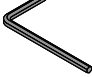

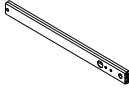


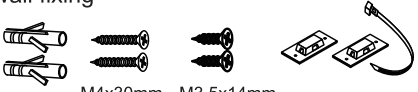


|  <b>WARNING</b> |   |   |
|--|---|---|
|                 |  | <p><b>Children have died from furniture tipover.</b></p> <ul style="list-style-type: none"><li>• ALWAYS secure it with an anchor device.</li><li>• NEVER allow children to stand, climb or hang on drawers, doors, or shelves.</li><li>• NEVER open more than one drawer at a time.</li><li>• Place heavy items down low</li></ul> <p><b>NEVER put a TV on this furniture</b> </p> <p><b>This is a permanent label. Do not remove!</b></p> |

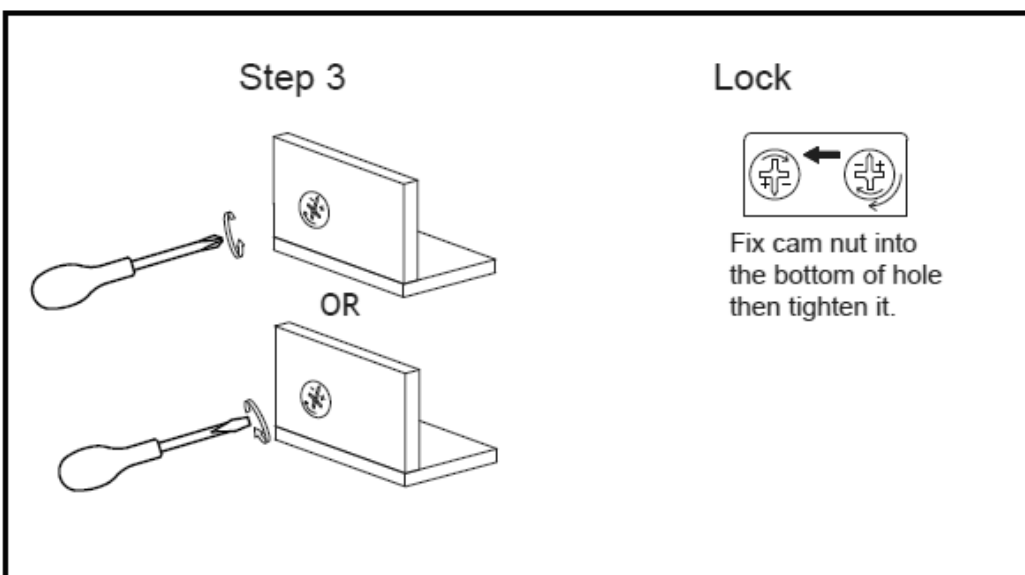
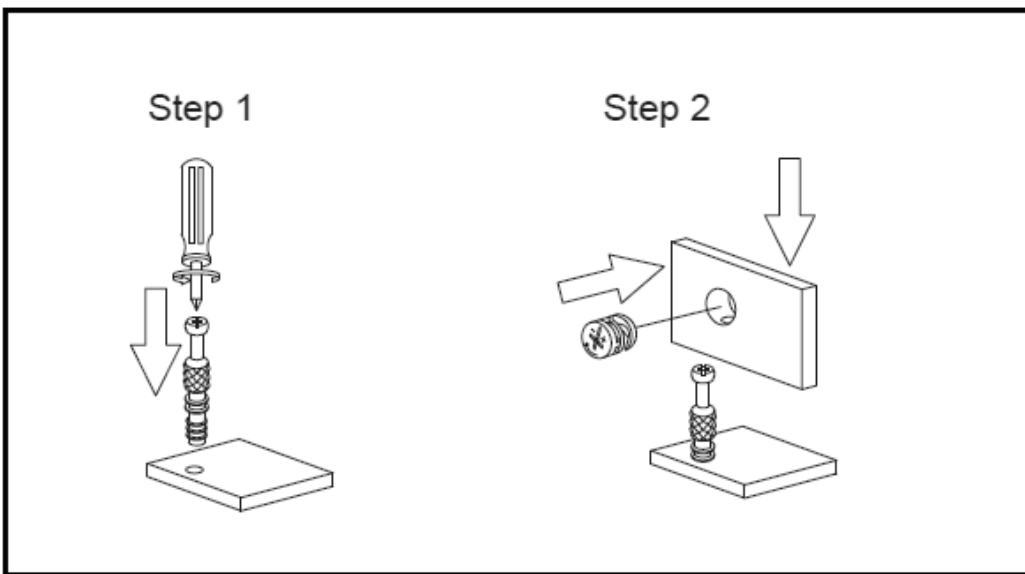
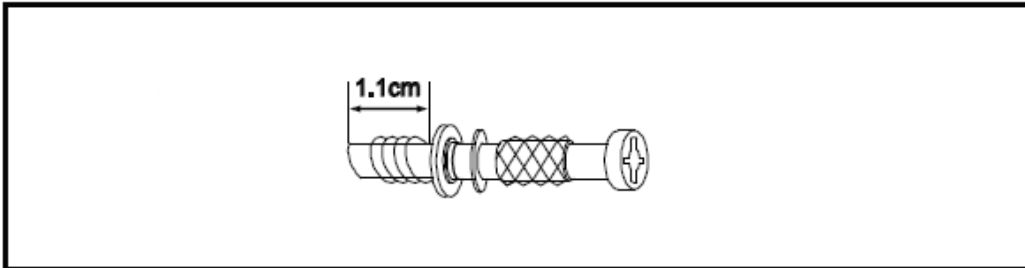
# PARTS LIST



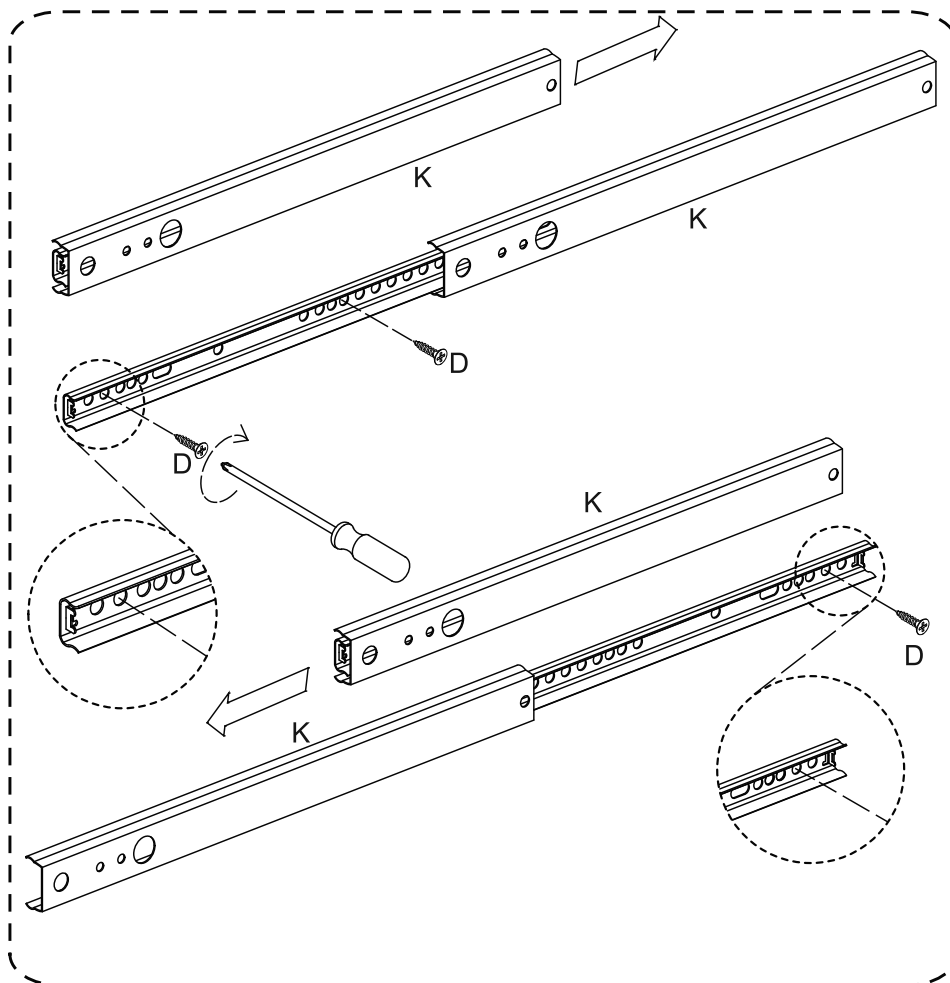
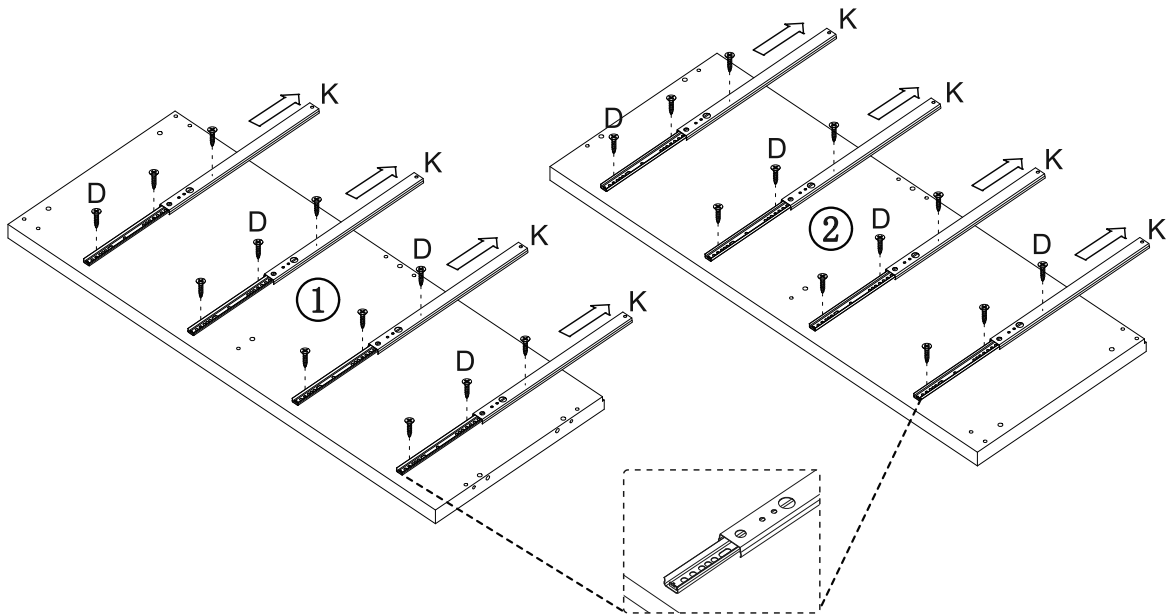
|    |                         |
|----|-------------------------|
| 1  | Left Side Panel         |
| 2  | Right Side Panel        |
| 3  | Bottom panel            |
| 4  | Rail                    |
| 5  | Rail                    |
| 6  | Rail                    |
| 7  | Rail                    |
| 8  | Leg                     |
| 9  | Leg                     |
| 10 | Top Panel               |
| 11 | Back Panel              |
| 12 | Drawer Left Side Panel  |
| 13 | Drawer Right Side Panel |
| 14 | Drawer Back Panel       |
| 15 | Drawer base             |
| 16 | Support panel           |
| 17 | Drawer Front Panel      |

|  |   |  |  |  |   |
|--|---|--|--|--|---|
| <b>A</b><br>cam pin<br><br>M7×37mm 44×A | <b>B</b><br>cam lock<br><br>48×B                     | <b>C</b><br>dowel<br><br>M8×30mm 16×C | <b>D</b><br>screw<br><br>M3.5×14mm 24×D | <b>E</b><br>screw<br><br>M5×40mm 20×E | <b>F</b><br>screw<br><br>M4×14mm 8×F |
| <b>G</b><br>screw<br><br>M3×16mm 20×G   | <b>H</b><br>foot pad<br><br>4×H                      | <b>I</b><br>allen key<br><br>1×I      | <b>J</b><br>bolt<br><br>M6×25mm 4×J     | <b>K</b><br>slide<br><br>8×K          | <b>L</b><br>handle<br><br>8×L        |
| <b>M</b><br>cam pin<br><br>M7×48mm 4×M  | <b>N</b><br>wall fixing<br><br>M4×30mm M3.5×14mm 1×N |  |  |  |   |

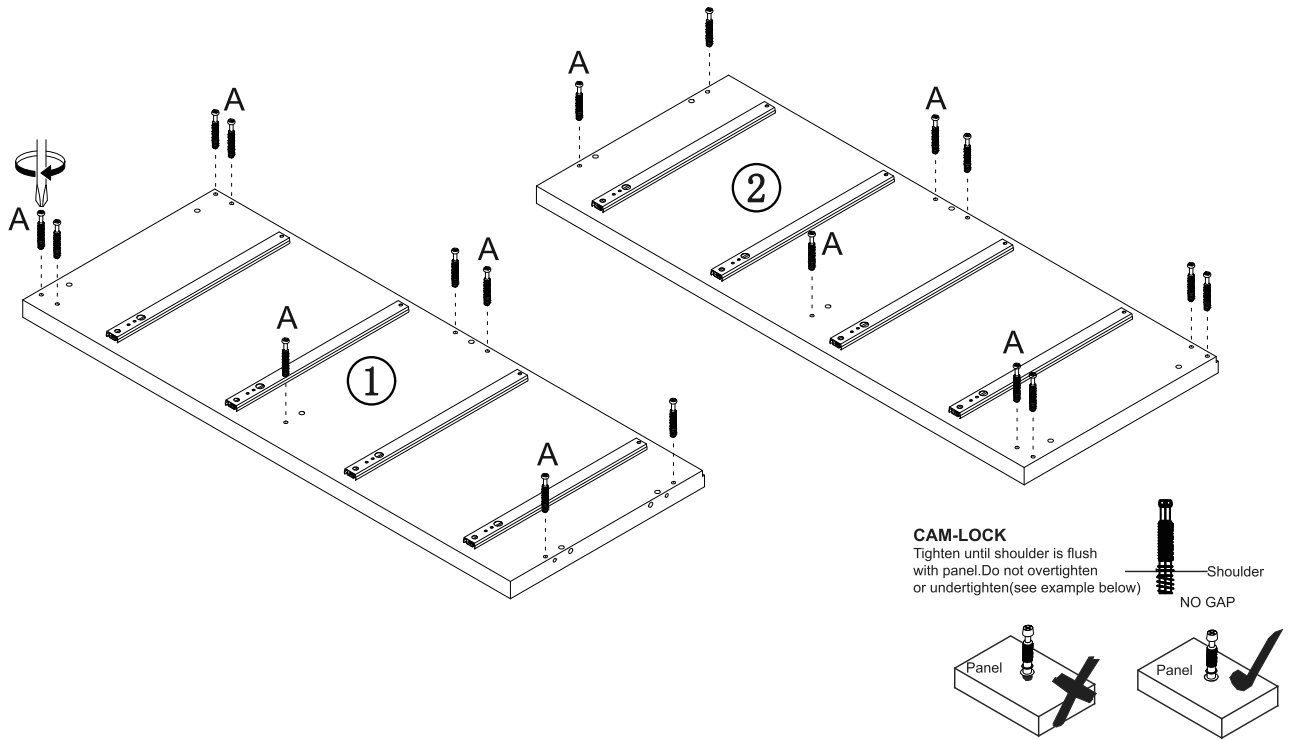
# CAM LOCK INSTALLATION



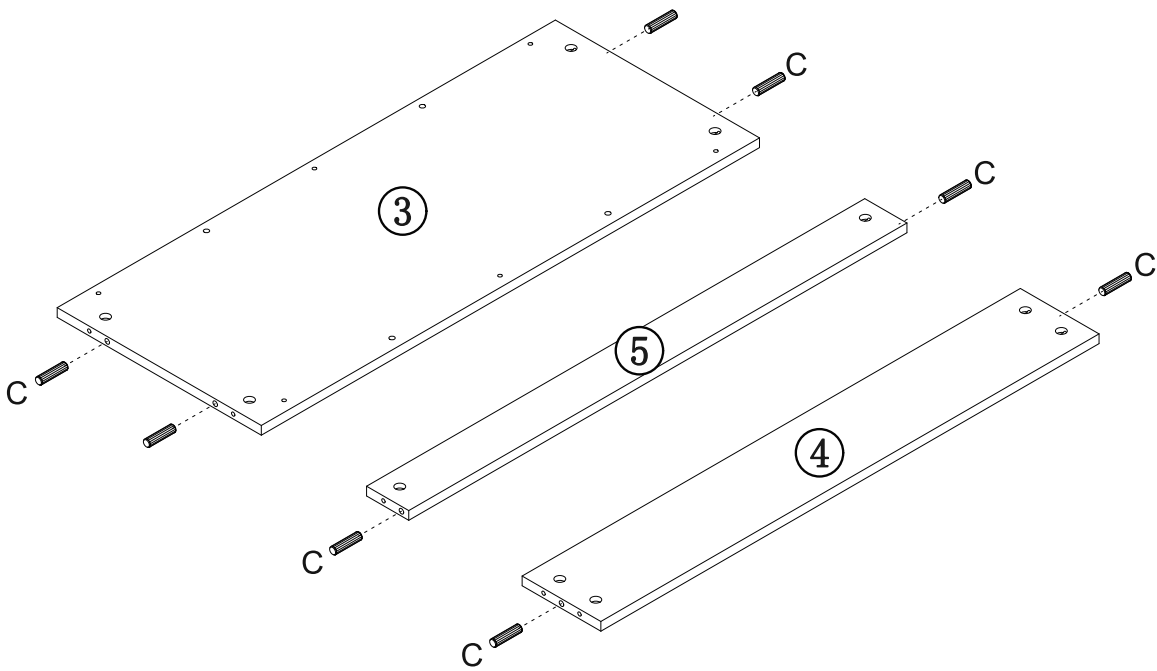
STEP1: Fix slide (K) to panel (1&2) with screws (D).



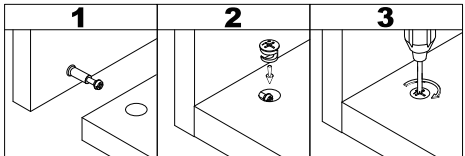
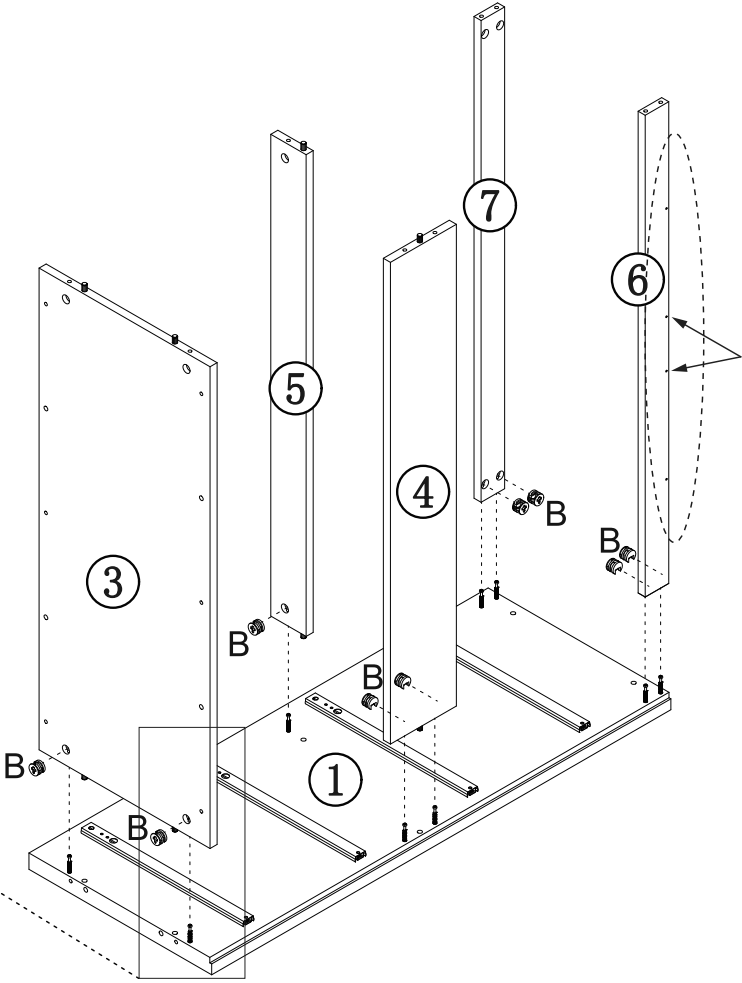
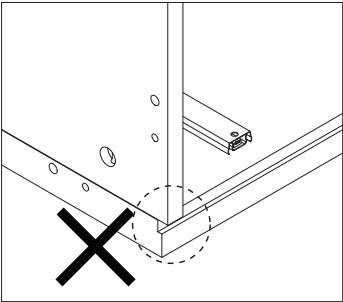
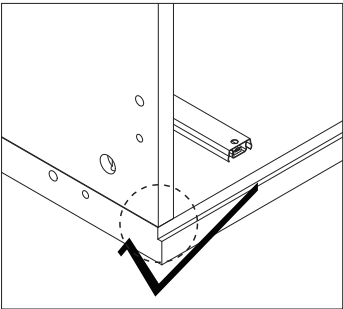
## STEP2: Fix cam pin (A) to panel (1&2).



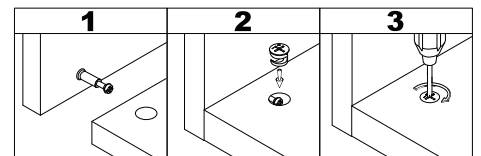
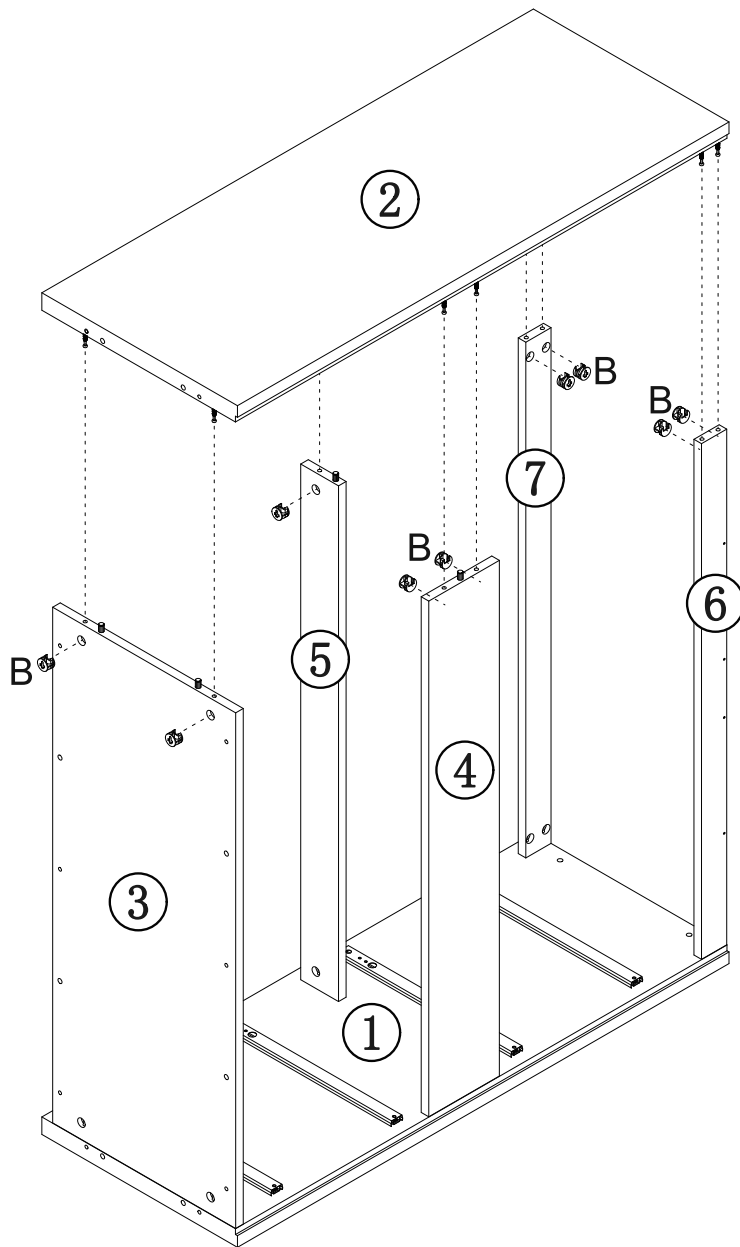
## STEP3: Insert dowel (C) to panel (3&4&5).



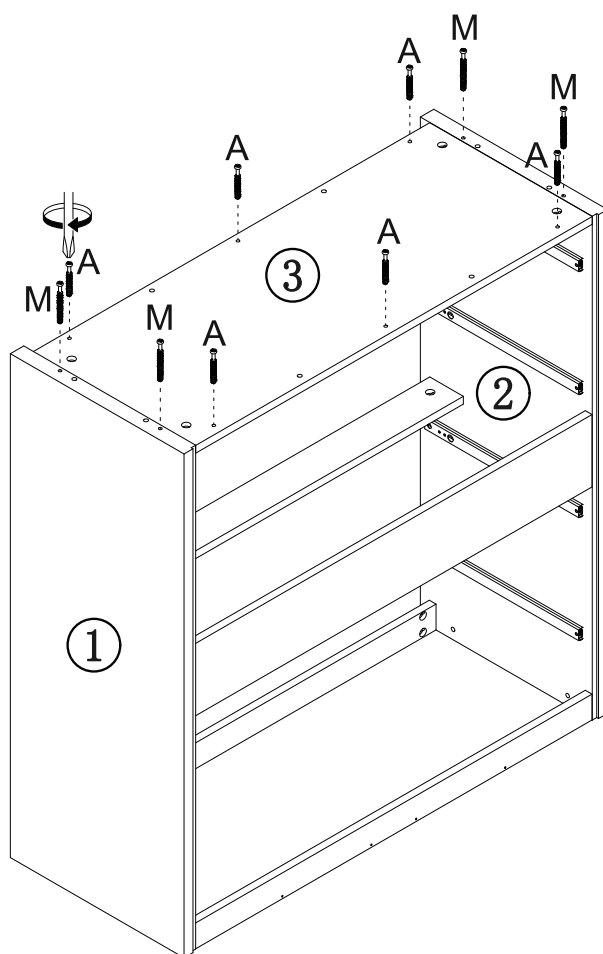
STEP4: Attach panel (3&4&5&6&7) to panel (1) with cam lock (B).



STEP5: Attach panel (3&4&5&6&7) to panel (2) with cam lock (B).

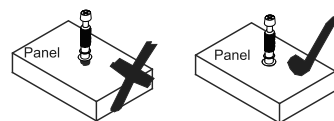
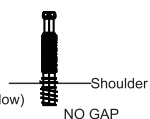


STEP6: Fix cam pin (A) to panel (3).  
Fix cam pin (M) to panel (1&2).

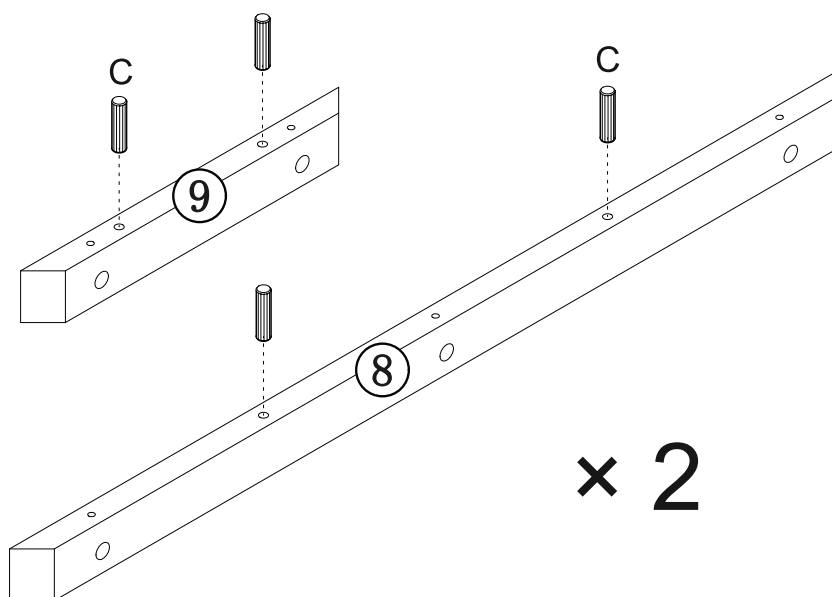


**CAM-LOCK**

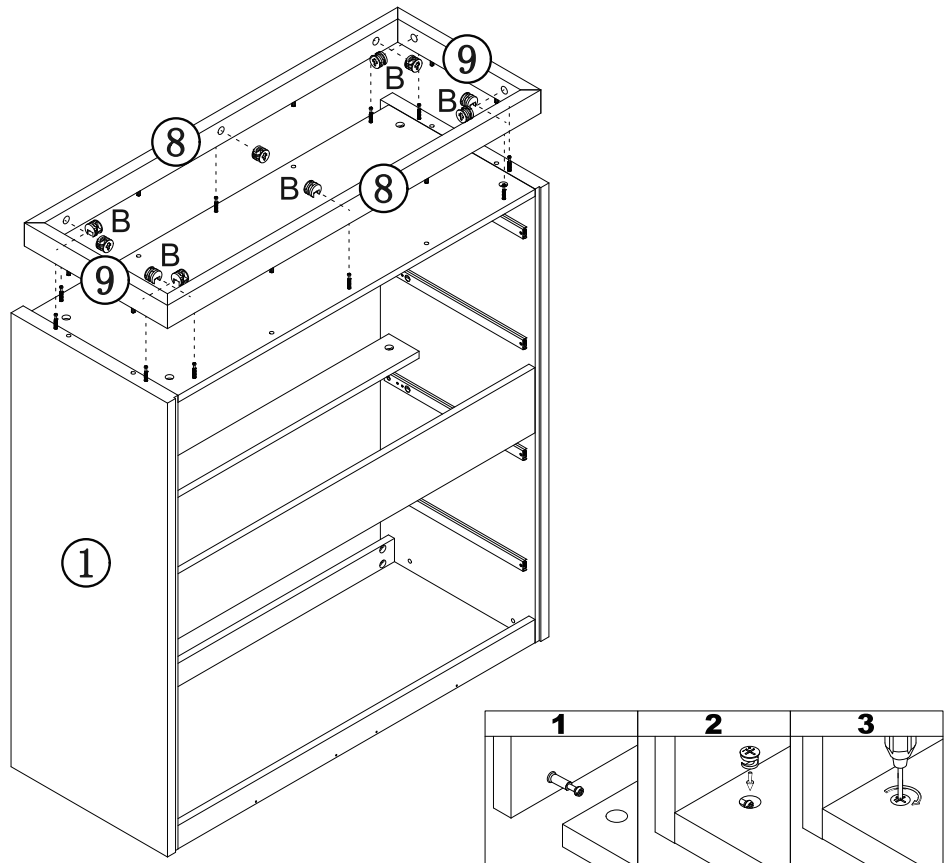
Tighten until shoulder is flush with panel. Do not overtighten or undertighten (see example below)



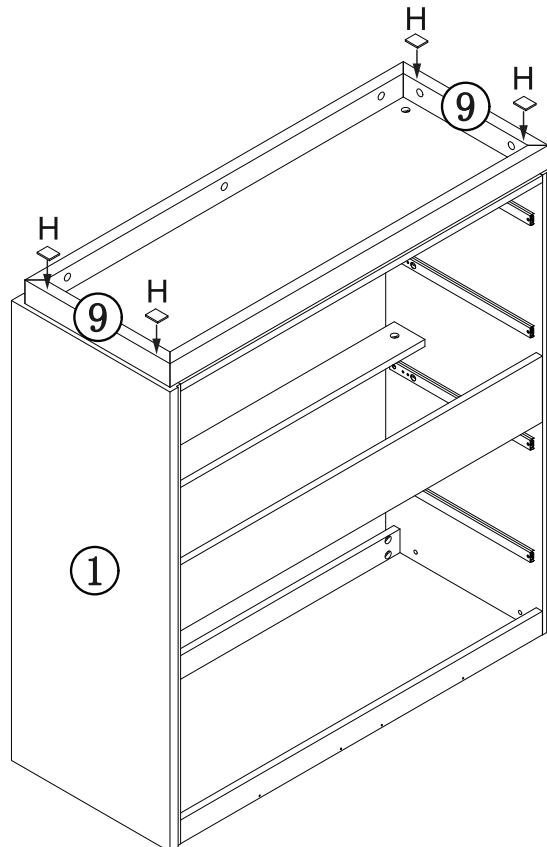
STEP7: Insert dowel (C) to panel (8&9).



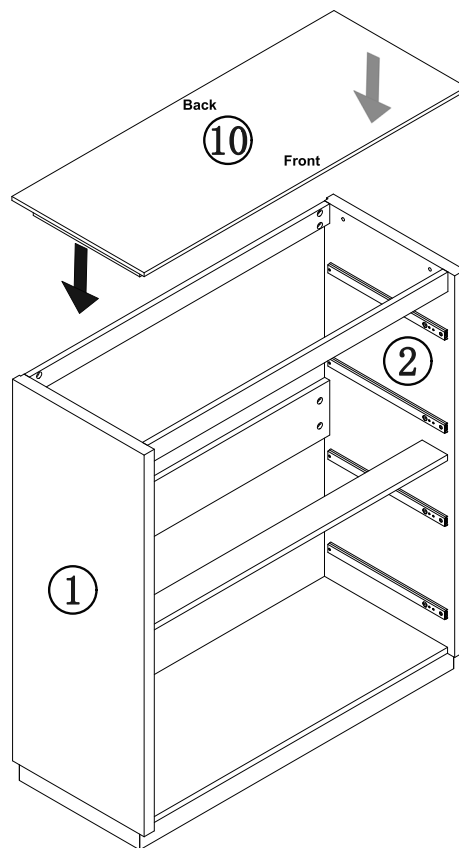
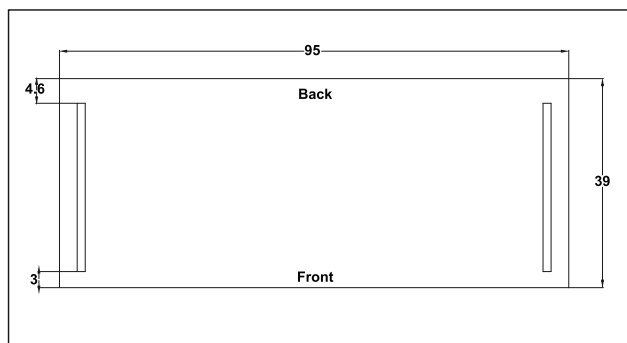
STEP8:



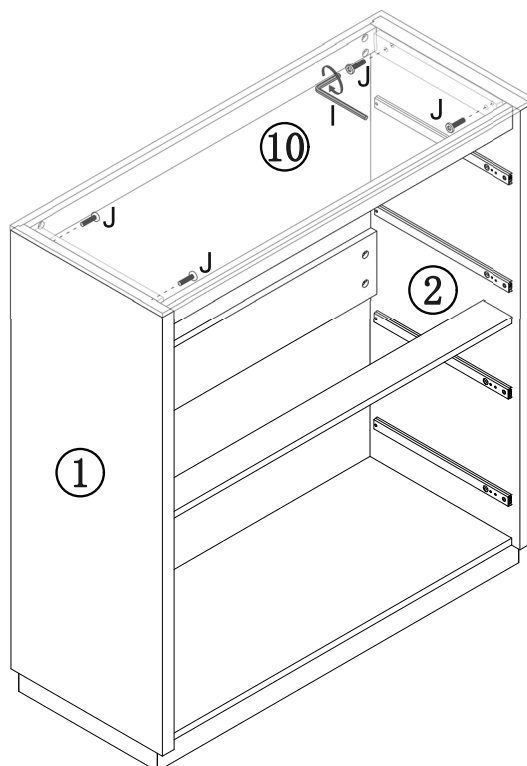
STEP9: Attach leg to the body with cam lock (B).



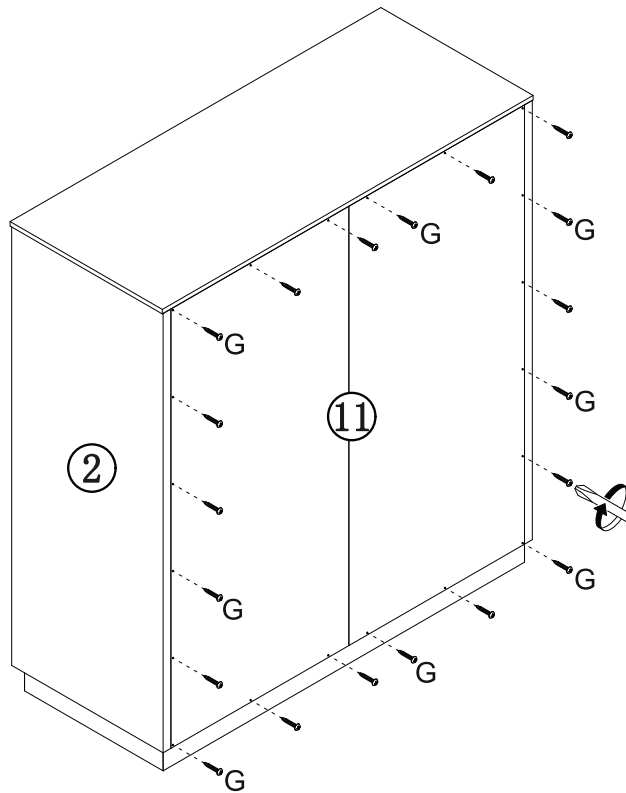
STEP10: Locate panel (10) to the body as shown.



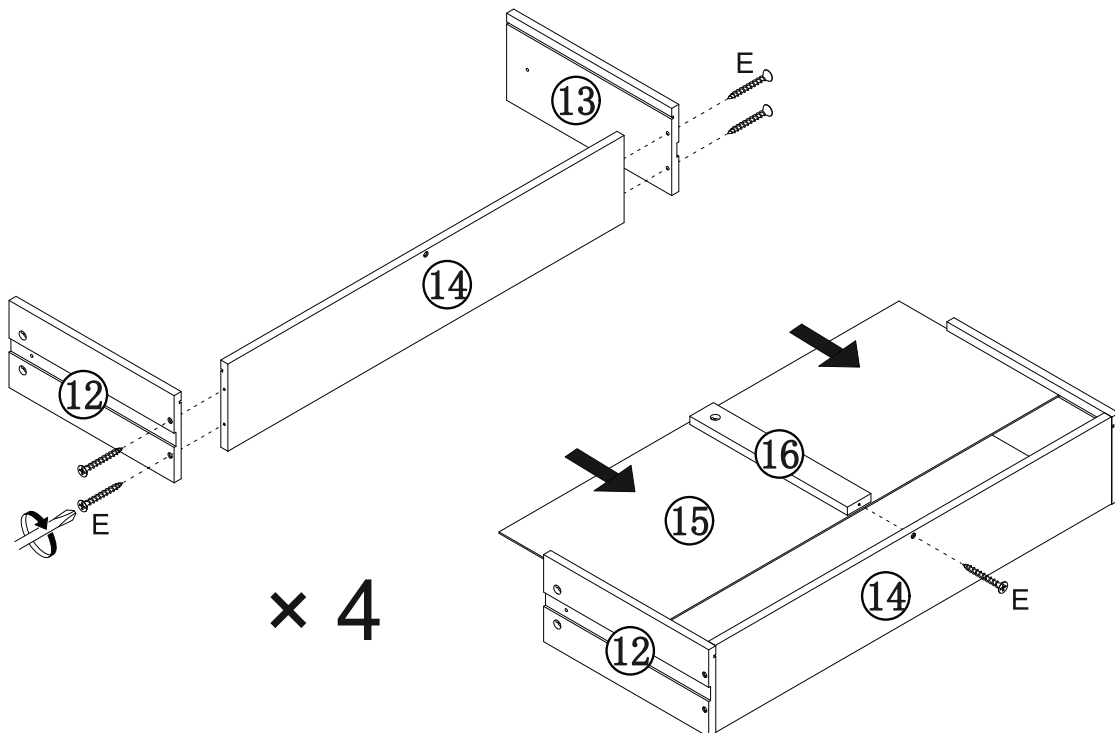
STEP11: Attach panel (10) to the body with screws (J).



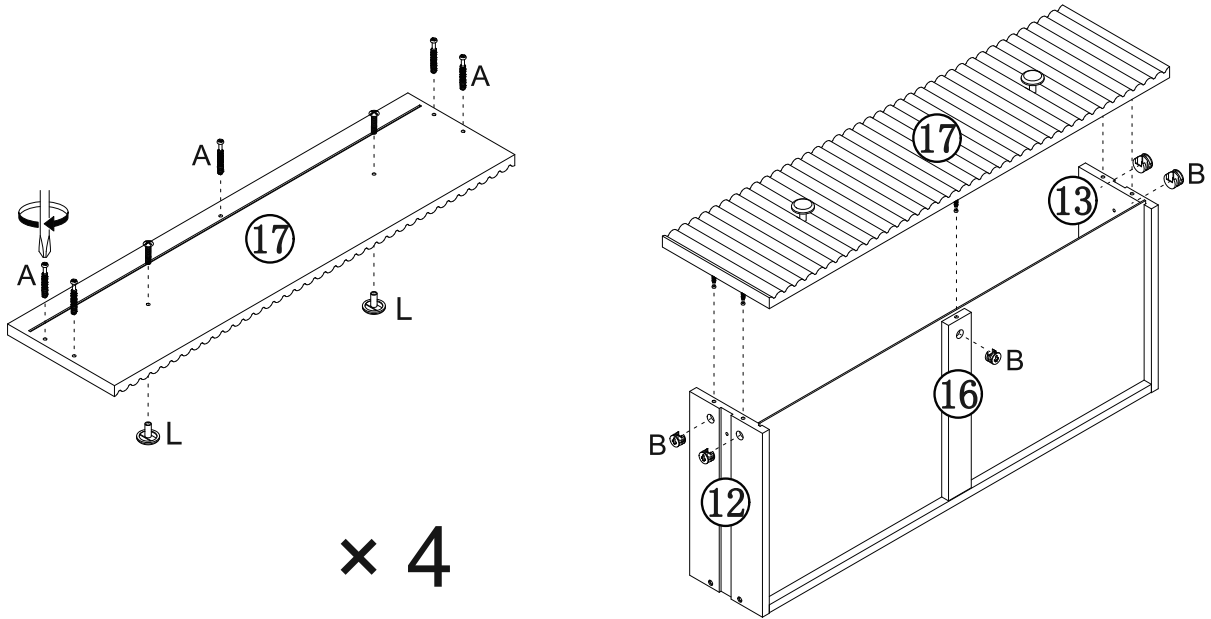
STEP12: Attach panel (11) to the body with screws (G).



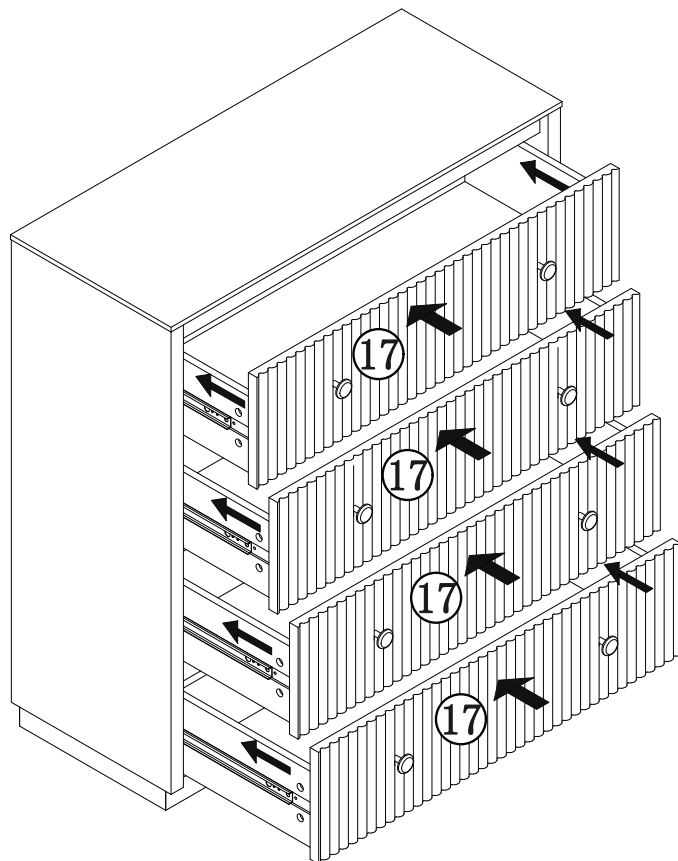
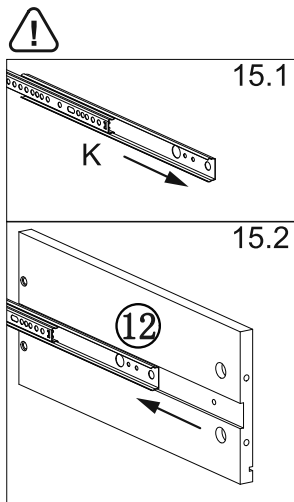
STEP13: Attach panel (12&13) to panel (14) with screws (E).  
Insert drawer base (13) to drawer body.  
Attach panel (16) to panel (14) with screws (E).



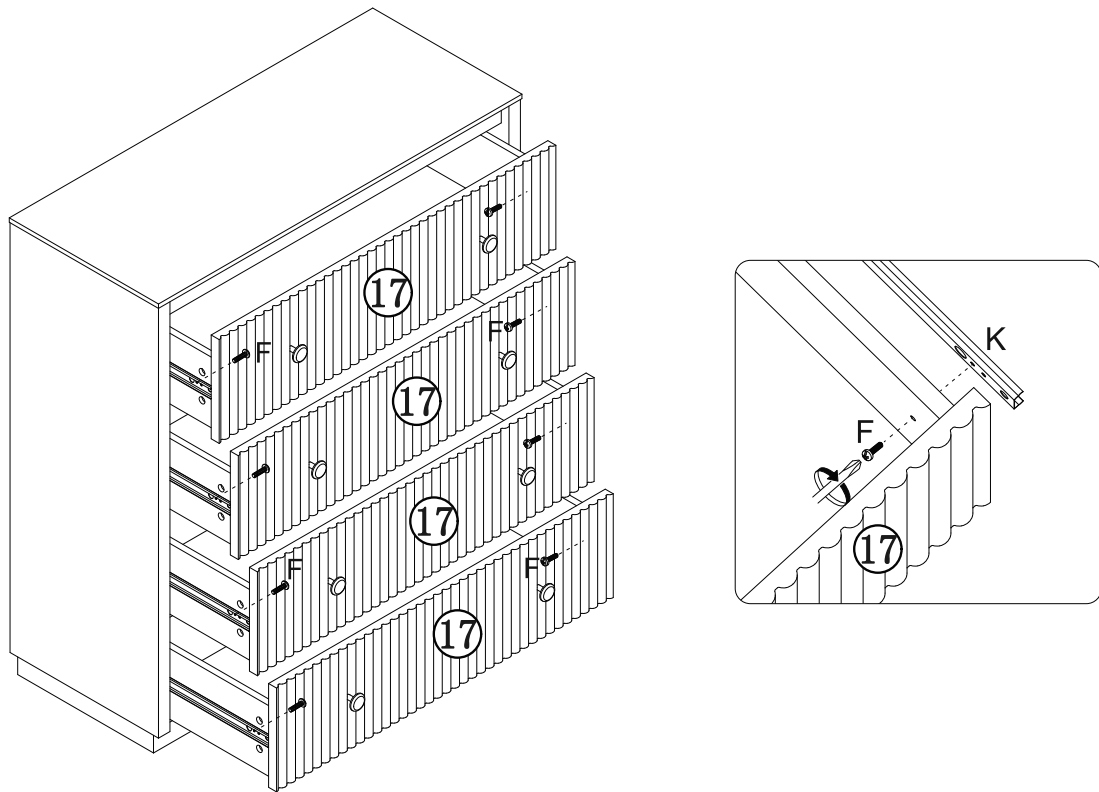
STEP14: Fix cam pin (A) and handle (L) to panel (17).  
Attach panel (17) to the body with cam lock (B).



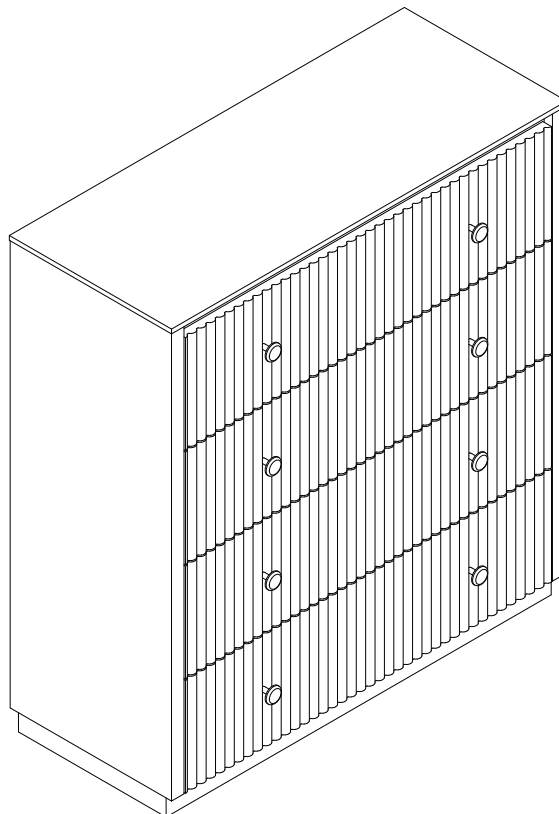
STEP15: Fix slide (K) to drawer side panels.



STEP16: Lock slide (K) to drawer with screw (F).



ASSEMBLY IS COMPLETE



## SAFETY BRACKETS INSTRUCTIONS

This furniture poses a tipping risk and as such must be secured to a wall using the provided tipping kit.

1. Attach one Mounting Plate to the wall with the Large Screws. Make sure to attach the Mounting Plate into a stud. If mounting into brick or masonry you will need to acquire wall anchors. Please enquire with your local hardware supplier for appropriate fixings.
2. Attach the second Mounting Plate to the furniture frame with the Short Screws.
3. Move the furniture to its final position. Thread a Wall Strap through the both Mounting Plates and tighten until snug. Do not over tighten.
4. Make sure that the Mounting Plates are firmly attached to the wall and furniture and that the Wall Strap is snug.

### HARDWARE



Mounting Plate x 2



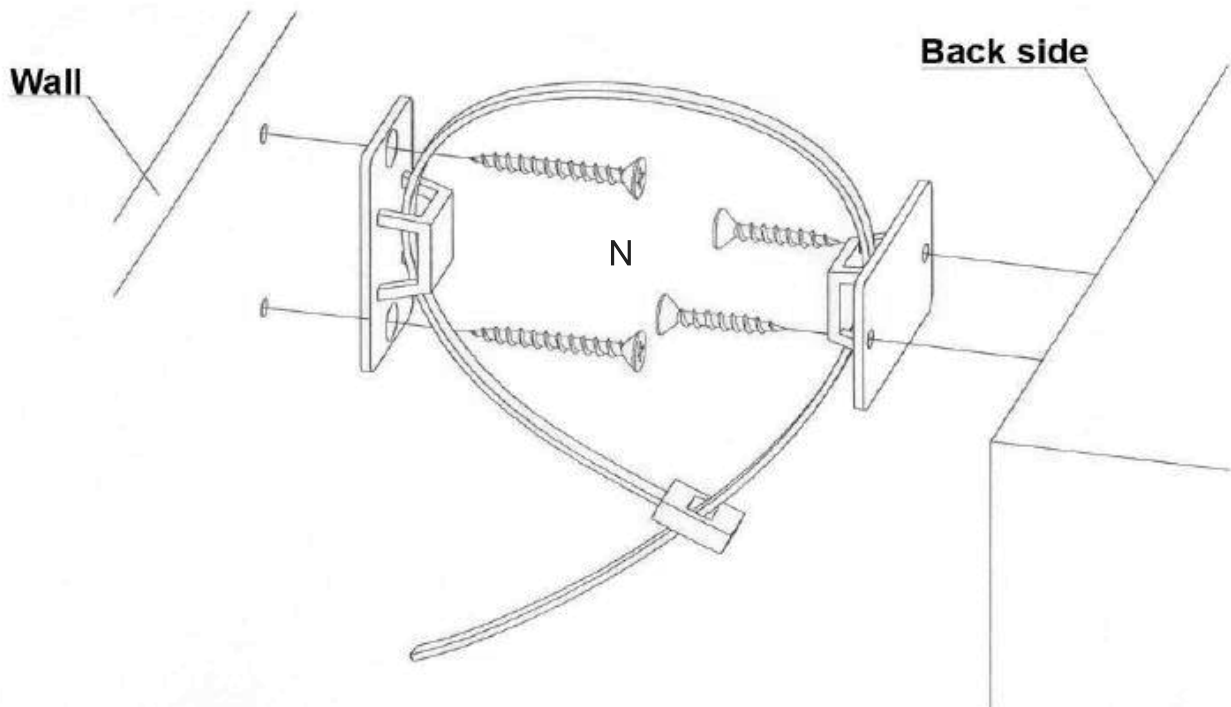
Wall Strap x 1



Large Screw x2



Small Screw x2



# General Product Care

To protect your furniture, we suggest the following:

- Avoid placing your furniture in direct sunlight.
- Do not place furniture directly under windows.
- Do not place sharp materials (knife, fork, etc.) directly onto your furniture as sharp material may scrape and damage the finish.
- Do not place material with high temperature directly onto the surface of your furniture.
- Clean up spills quickly. Water left over a prolonged period of time may cause damage. Alcohol, perfume, nail polishes, aftershave and some medication may cause severe finish damage if not cleaned immediately.
- Use a clean, soft, dry, lint free absorbent cloth to clean your furniture. Do not use any detergent as they may contain ingredients that may react and damage the finish.

# Product Care for Sintered Stone Items

## Daily Cleaning

•  
General Stain Removal: As the surface of sintered stone furniture is non - porous and non - absorbent, for daily cleaning, simply wiping with a soft, damp cloth can remove dust and light stains such as coffee stains and fruit juice stains. For more stubborn stains, a mild detergent can be used. However, avoid using cleaners that contain strong acids, strong alkalis, or abrasive components to prevent damage to the furniture surface.

•Preventing Water Stain Residue: After cleaning, wipe off the water in a timely manner to prevent water stain residue. Because long - term water stains may form water marks on the surface and affect the appearance.

## Avoid Scratching and Collision

•  
Careful Use: In daily use, avoid using sharp objects such as knives and keys to scratch on the furniture surface, as this may cause scratches. Although sintered stone is relatively wear - resistant, sharp objects can still damage its surface.

•Pay Attention to Moving: When moving furniture, handle it with care and avoid collision with other hard objects. If you need to move heavy sintered stone furniture, it's best to ask professionals for help to prevent accidental collisions during the moving process and damage to the furniture.

## Prevent Chemical Corrosion

•  
Avoid Contact with Acid - Base Substances: Sintered stone furniture should avoid contact with acidic or alkaline chemicals such as vinegar, lemon juice, and bleach. These substances may react chemically with the stone, causing the surface to discolor, corrode, or be damaged.

•Choose Cleaners Carefully: When choosing a cleaner, carefully check the product ingredients to ensure that it will not damage the sintered stone. If you're not sure whether a cleaner is suitable, you can first conduct a small - area test on an inconspicuous part of the furniture and observe whether there is any adverse reaction before using it.